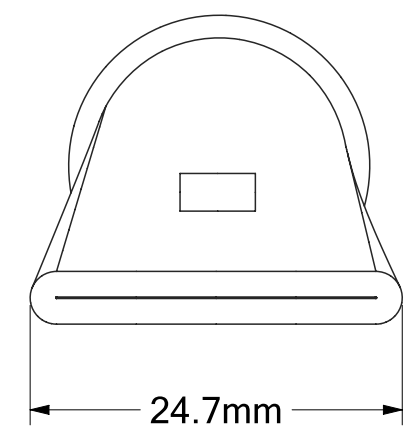
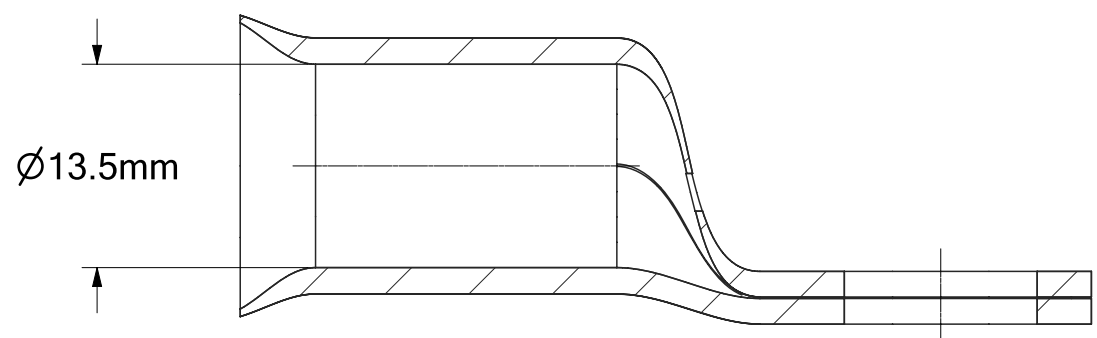
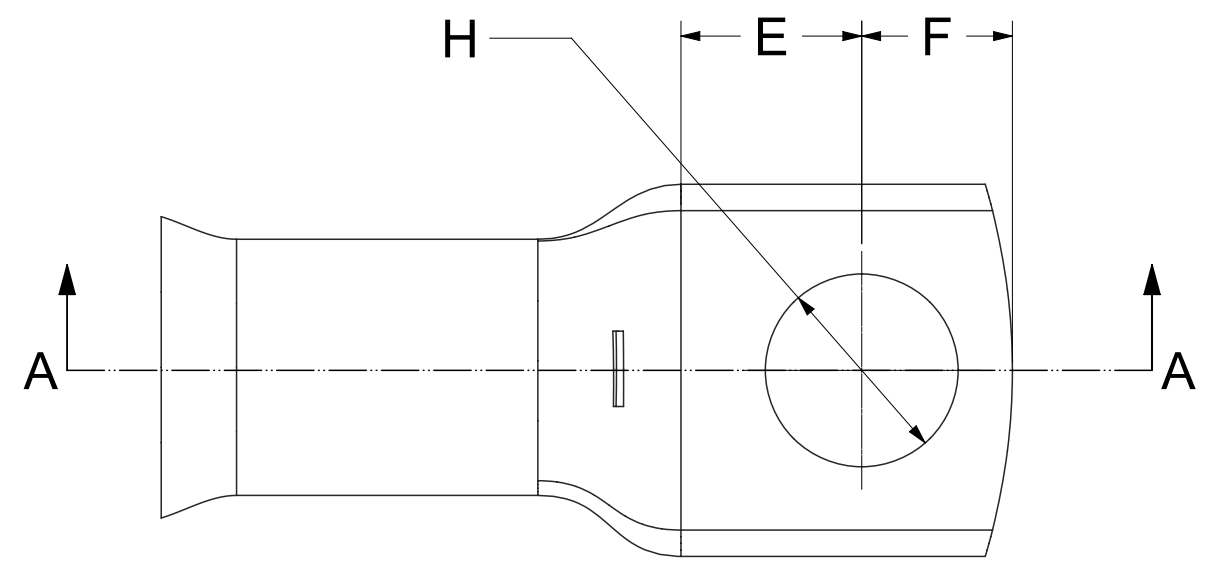


REVISION HISTORY	
1	Original Concept
2	Inspection Hole added
3	Revision created for .pdf clarity
4	Table update



SECTION A-A
SCALE 2:1

PART NO.	H (mm)	E (mm)	F (mm)
TCHD-95-0	0	12.0	10.0
TCHD-95-6	6.5	12.0	10.0
TCHD-95-8	8.5	12.0	10.0
TCHD-95-10	10.5	12.0	10.0
TCHD-95-12	13.0	12.0	10.0
TCHD-95-14	15.0	13.0	13.0
TCHD-95-16	16.5	14.5	13.5

UOS - LINEAR TOLERANCE PERMISSABLE DEVIATIONS FOR SIZE RANGE:
Tolerances according to DIN ISO 2768 (V)

DIMS IN MM	0.5 to 3	>3 to 6	>6 to 30	>30 to 120	>120 to 400	>400 to 1000	>1000 to 2000	>2000 to 4000
	±0.5	±1.0	±1.5	±2.5	±4.0	±6.0	±8.0	

TOTAL CONNECTIONS 2009 LTD
 Total Connections 2009 LTD
 www.tc2009.co.uk
 sales@tc2009.co.uk
 Tel 01249 812 707

Drawing No. TCDR 1899
 Part No. TCHD-95-RANGE
 Material. CW024A (C106) COPPER
 Finish. 5MICRON ELECTRO TIN PLATED
 SIZE A3 Date 19/10/2021 Created By: Dan Hewlett
 SCALE 2:1 SHEET 1 of 1
 REV 4